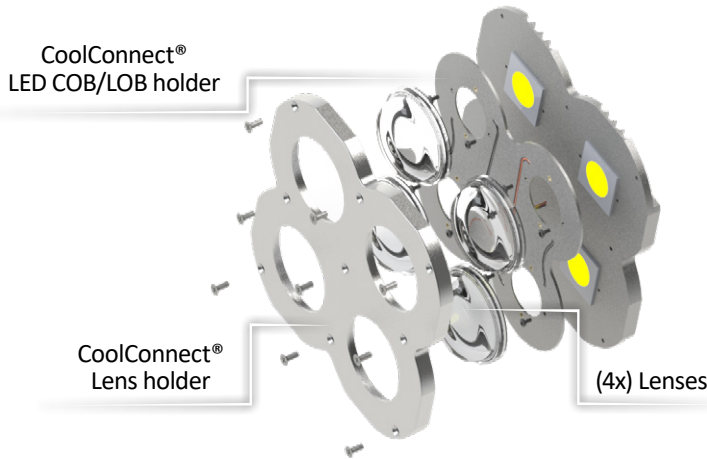
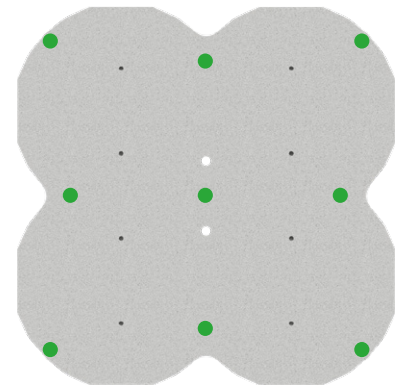


## CoolFin® Giga - High Power heat pipe LED Cooler with stack fins

### Components Options



### Mounting indicator marks overview



### Lens



#### Ledil Stella lenses

##### Model names

- FN14074\_STELLA-HB
- FN14720\_STELLA-FRESNEL
- FN15264\_STELLA-HB-WWW
- FN15379\_STELLA-VSM

##### Mounting

- With CoolConnect® LensMount 2x2-01
- Mounting with 9 screws M4 x 16mm
- Green indicator marks

#### MechaTronix CoolView® 7 lenses

The CoolView® lenses are made out of 95% high transparency borosilicate glass, and are available in a wide variety of beam patterns. The high bay variants are foreseen from a highly efficient anti-glare structure (AG), while the horticulture variants are designed with a batwing lighting curve for a perfect dispersion of the micromols over the lighting surface.

##### Model names

- CoolView® 7-60AG
- CoolView® 7-90AG
- CoolView® 7-90BW
- CoolView® 7-120BW

##### Mounting

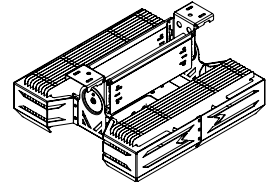
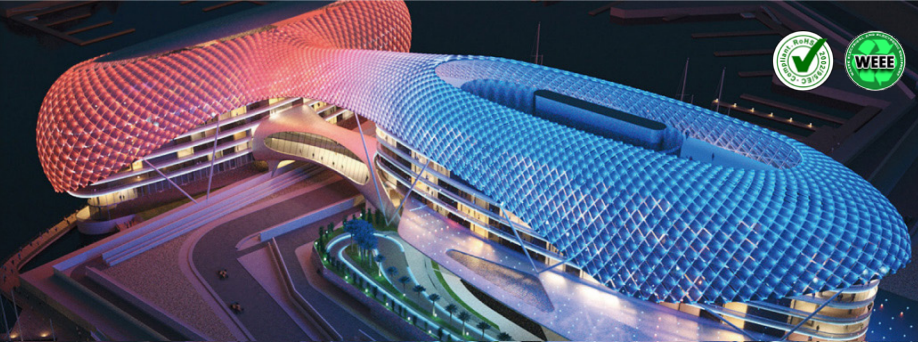
- With CoolConnect® LensMount 2x2-02
- Mounting with 9 screws M4 x 16mm
- Green indicator marks

#### MechaTronix CoolConnect® Lens holder for 4x lenses with CoolFin

The lens holder plate, with double internal gasket for a perfect IP67 design, has a number of variants depending on the lenses used on the system. Since each lens has its specific outer contour dimensions, this plate needs to be fitted to the lens.

##### Model names

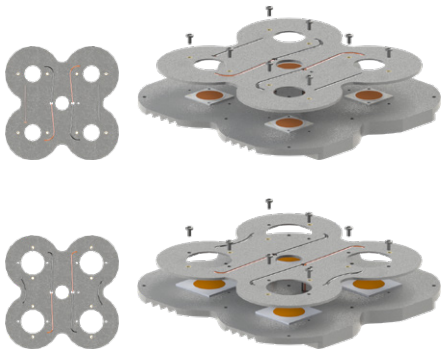
- CoolConnect® LensMount 2x2-01
  - for (4x) Ledil Stella lenses
- CoolConnect® LensMount 2x2-02
  - for (4x) CoolView® 7 series lenses



## CoolFin® Giga - High Power heat pipe LED Cooler with stack fins

### Components Options

#### Accessories

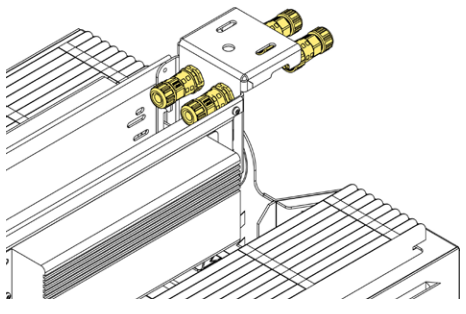


#### MechaTronix CoolConnect® LED COB / LOB holder

Constructed out of mica, these LED holders combine 4 COBs or LOBs together, with each time 2 units in series. The design follows the Zhaga standards, so any LED engine from size 28x28x1mm or 38x38x1mm can be used with these holders.

#### Model names

- CoolConnect® holder 2x2HC-01  
- for size 28x28x1mm COB / LOB LED engines
- CoolConnect® holder 2x2HC-02  
- for size 38x38x1mm COB / LOB LED engines



#### MechaTronix CoolConnect® IP Connector

This waterproof connectors ensure a perfect IP67 connection from the mains to your luminaire. With a simple twist-and-lock principle, the ease-of-installation at heights is guaranteed.

#### Model names

- CoolConnect® IP Connector M20 2P
- CoolConnect® IP Connector M20 3P
- CoolConnect® IP Connector M20 4P