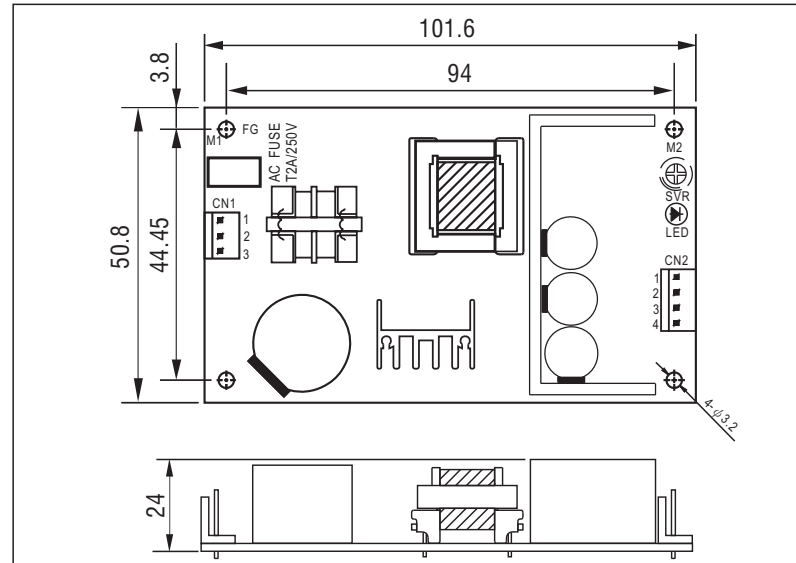


35W Single Output Switching Power Supply

- 4"x2"x 0.95" compact size
- Universal AC input / Full range
- Cooling by free air convection

- Protections: Short circuit / Overload / Over voltage
- 2 years warranty



AC input voltage range	90~264VAC; 127~370VDC
DC adjustment range	±10% rated output voltage
Overload protection	105%~160% hiccup mode, auto-recovery
Over voltage protection	115%~150% rated output voltage
Withstand voltage	I/P-O/P: 3.0kVAC, I/P-FG:1.5kVAC, 1minute
Working temperature	-20°C~+65°C (refer to output derating curve)
Safety standards	UL60950-1, TUV EN60950-1 approved
EMC standards	EN55022 class B, EN61000-3-2,3, EN61000-4-2,3,4,5,6,8,11; ENV50204
Connection	3+4P / 3.96mm pitch, JST B3P/B4P-VH
Packing	0.124kg; 96pcs / 12.9kg / 0.8CUFT

Model No.	Output	Tol.	R&N	Effi.
PS-35-3.3	3.3V, 0~6.0A	±2%	80mV	70%
PS-35-5	5V, 0~6.0A	±2%	100mV	78%
PS-35-7.5	7.5V, 0~4.7A	±2%	100mV	80%
PS-35-12	12V, 0~3.0A	±1%	120mV	81%
PS-35-13.5	13.5V, 0~2.6A	±1%	120mV	81%
PS-35-15	15V, 0~2.4A	±1%	150mV	81%
PS-35-24	24V, 0~1.5A	±1%	200mV	85%
PS-35-48	48V, 0~0.75A	±1%	240mV	84%